

HDM's BFG-S Series Battery Fuel Gauge provides key information about your onboard battery power system at the touch of a single button: SOH, SOC, Hour Remaining, and battery voltage. Simple and user-friendly interface helps monitor your battery performance while at sea or on the road.

Technical Specification

Model ¹	BFG250-S	BFG500-S
Display Mode	Accuracy	
Mode 1: SOH (State Of Health)	90 - 95%	
Mode 2: SOC (State Of Charge)	90 - 95%	
Mode 3: Hour Remaining (Hr)	90%	
Mode 4: Voltage (V)	97 - 99%	
Components	BFG Display mounted at Control Panel BFG Sensor and Shunt mounted at the Battery Bank	
Shunt Value	250A _{DC} /50mV _{DC}	500A _{DC} /50mV _{DC}
Voltage Range	12 ~ 48V _{DC} (up to 2 banks) ²	
Operating Temperature Range	-40°C ~ +60°C	
Storage Temperature Range	-40°C ~ +85°C	
Display Dimensions	Face: 2.6 x 2.6 x 0.2" (LxWxTh) Base: 2" (dia) x 2.5" (length)	
Wiring	BFG Display: 20" 18AWG Male Receptacle BFG Sensor: 40" 18AWG Female Plug	
External Fuse	ATC 10A / 32V _{DC}	
Battery Type	AGM, Flooded Lead Acid Batteries	
EMC Compliance	DEF STAN 59-411 Part 4 DRE04	
Warranty	1 Year	

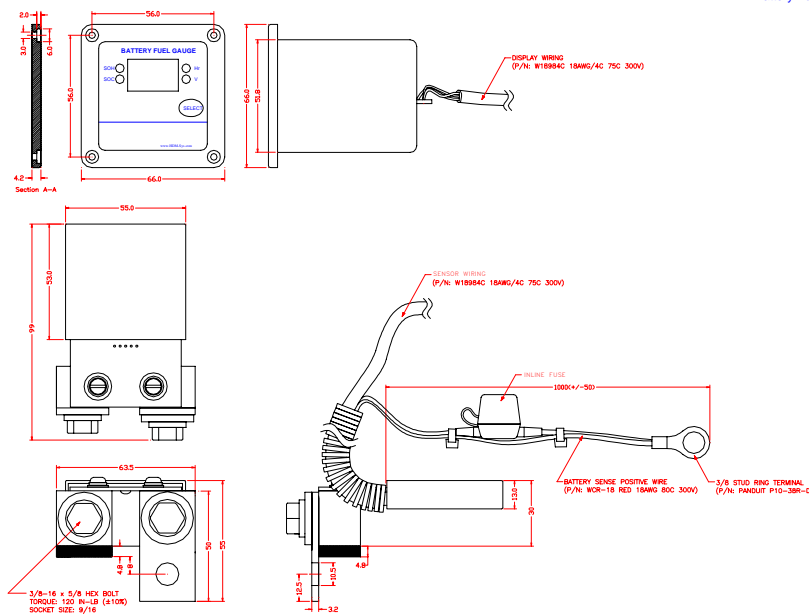
Specifications are typical at 25°C unless otherwise stated and are subject to change without notice.

¹ For various battery types, add suffix to model number indicating Nominal Input Voltage.

For Example: BFG250-12-S (for 12V battery), BFG250-24-S (for 24V battery) or BFG250-42-S (for 36V & 48V batteries).

² For 2 battery banks version with battery bank switch option, add suffix "B" to model number.

For Example: BFG250-12-SB (for two 12V battery banks) or BFG250-24-SB (for two 24V battery banks).



Dimensions in millimeters unless otherwise specified.



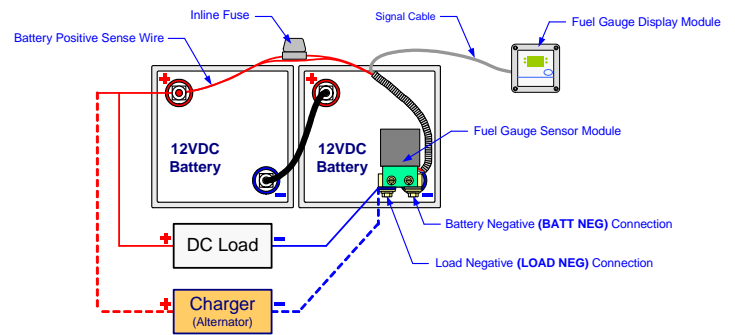
Display shown with optional night vision LED filter.

Industry-Leading Features

- ◆ Real-Time Battery information Based On Continuous Data Measurement
- ◆ Self-Calibration
- ◆ Optional RS232 Interface Provides Ability to Collect and Communicate Data
- ◆ Load Dump And Voltage Transient Protection

Reliable And Pertinent Information Display

- ◆ Battery State of Health
- ◆ Battery State of Charge
- ◆ Hour Remaining
- ◆ Battery Voltage
- ◆ Push button to scroll through information display
- ◆ User Friendly
- ◆ Easy Installation



Setup Configuration for BFG500-24-S

Part Number

Model	Voltage	Shunt Value
BFG250-12-S	12V _{DC}	250A _{DC} /50mV _{DC}
BFG500-12-S	12V _{DC}	500A _{DC} /50mV _{DC}
BFG250-24-S	24V _{DC}	250A _{DC} /50mV _{DC}
BFG500-24-S	24V _{DC}	500A _{DC} /50mV _{DC}
BFG1200-24-S	24V _{DC}	1200A _{DC} /50mV _{DC}

Add suffix after model name for optional features and accessories.

-1	Display module with On/Off feature
-2	Display module with night vision LED filter
-3	Sensor with RS232 interface connector (no display)