

HDM's PS-2000-24-115 Pure Sine-Wave Inverter provides a superior AC source for your complex electrical requirements and frequency sensitive equipment. It provides up to 2000W of continuous AC power for mobile and stationary applications such as electronic appliances, TV's, radios, computers, printers, refrigerators, and communication equipment. Compact and ruggedized design, the PS-2000-24-115 will ensure a clean and low distortion AC power at sea and on the road.



Technical Specifications

Pure Sine-Wave Inverter (Isolated)	
AC Output Power	2000W
AC Output Surge Rating	4000W for 1 sec
AC Output Voltage	120V _{AC}
AC Output Frequency	60(±0.5%)Hz
AC Output Voltage Regulation	±2% Vout
Distortion (THD)	< 5%
DC Input Nominal Voltage	24V _{DC}
DC Input Voltage Range	22 - 30V _{DC}
DC Input Under Voltage Lockout	< 20V _{DC}
DC Input Over Voltage Protection	> 31V _{DC}
No Load Current Draw	
ON state	1.5 - 3A _{DC} @ 24V
Sleeping Mode	< 0.1A _{DC} @ 24V
High Temperature Shutdown	≥ +85(±5)°C
Efficiency	90% Typ
General	
Operating Temperature	-40 - +65°C
Storage Temperature	-40 - +95°C
Weight	23 lbs
Dimensions (LxWxH")	12.6 x 6.5 x 10.2"
MTBF Prediction	300,000 hrs (Note 1)
Warranty	1 year

Note 1: Calculated per Bellcore TR-NWT-000332 method.

Specifications typical at 25°C unless otherwise stated and are subject to change without notice. For custom profiles and requirements, please contact HDM Systems representatives.

Industry-Leading Features

- ♦ Highest Density
- ♦ Highest Surge Capability
- ♦ Best Thermal Performance Without Derating
- ♦ Watertight (3psi) Standard Design
- ♦ Sleep Mode To Minimize Idling Drain Current (0.1A_{DC} vs. 2-3A_{DC})
- ♦ Multi-Stage Output Short Circuit Protection
- ♦ Load Dump And Voltage Transient Protection
- ♦ Thru-Bolt Mounting Provides Alternative To Clamping
- ♦ Replaceable External Waterproof Fan
- ♦ Optional RS232 or CAN-Bus Interface

Standard Features

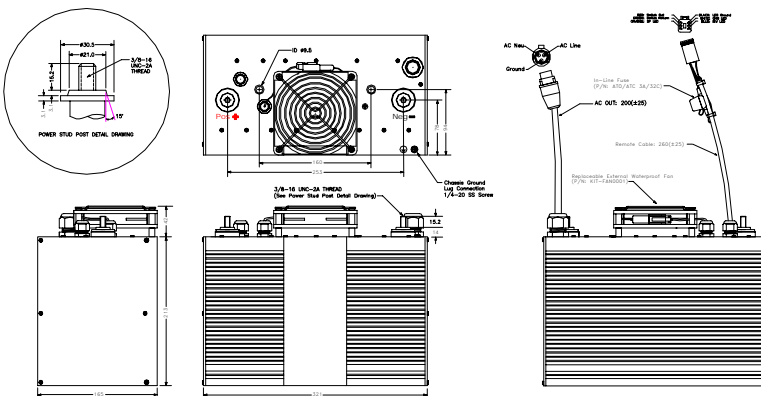
- ♦ Extruded Aluminum Case Construction
- ♦ Conforms to Group 31 Battery Configuration
- ♦ Meets IP65 Requirement
- ♦ Remote On/Off Switch
- ♦ LED Status Indicators

Inverter

- ♦ Pure Sine-Wave
- ♦ High Surge Capability
- ♦ 1500V_{AC} Isolation
- ♦ Power Limiting
- ♦ Input Reverse Polarity Protection
- ♦ Input Low Voltage Shutdown
- ♦ Input Overvoltage Shutdown
- ♦ Output Short Circuit Protection
- ♦ Output Overvoltage Protection
- ♦ High Temperature Shutdown
- ♦ Auto-Recovery Functions
- ♦ Sleeping Mode

Part Number

Model	Inverter	Surge
PS-2000-24-115	2000W Isolated	4000W
Add suffix after model name for optional accessories.		
-RS	RS232 Interface	
-CAN	CAN-Bus Interface	
-FC	FC200DC Power Line Filter	
-FC2	FC250DC Power Line Filter	



Dimensions in millimeters unless otherwise specified.