

**HDM's VISTER HI-Series Inverter is your complete power supply system** at sea and on the road. This product uses battery power to run on-board appliances and electronics. It high surge capacity handles demanding loads. Compact and economical, the VISTER HI-Series inverter is a cleaner alternative to the APU and other diesel based power systems.

**VISTER HIC-Series inverter/charger combination system is also available!**



## Technical Specifications

Modified Sine-Wave Inverter (Isolated)	
AC Output Power	(see table) (Note 1)
AC Output Surge Rating	(see table) for 1 sec
AC Output Voltage	120(+10/-20)V <sub>AC</sub>
AC Output Frequency	60(±4)Hz
DC Input Voltage Range	11 ~ 15.5V <sub>DC</sub>
No Load Current Draw	
ON state	2.5 ~ 5A <sub>DC</sub> @ 12V
Sleeping Mode	< 0.5A <sub>DC</sub> @ 12V
High Temperature Shutdown	≥ +75(±5)°C
Efficiency	> 90%
General	
Operating Temperature	-40 ~ +70°C
Storage Temperature	-40 ~ +95°C
Weight	
VISTER HI-1000, HI-1500	17 lbs
VISTER HI-2000, HI-2500, HI-3000	23 lbs
Dimensions (LxWxH")	
VISTER HI-1000, HI-1500	7.7 x 6.5 x 10.2"
VISTER HI-2000, HI-2500, HI-3000	12.6 x 6.5 x 10.2"
Approvals	TUV
MTBF Prediction	300,000 hrs (Note 2)
Warranty	1 year

Note 1: For VISTER HI-3000 inverter, 3000W for 5 min and 2500W continuous.

Note 2: Calculated per Bellcore TR-NWT-000332 method for VISTER HI-2000 inverter. MTBF predictions may vary slightly from model to model.

Note 3: Thru-bolt mounting is available for VISTER HI-2000, VISTER HI-2500, and VISTER HI-3000 inverters.

Specifications typical at 25°C unless otherwise stated and are subject to change without notice.

For custom profiles and requirements, please contact HDM Systems representatives.

### Industry-Leading Features

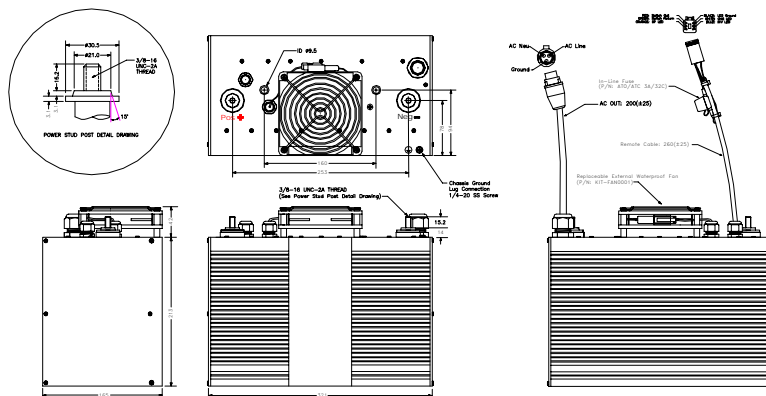
- ♦ Highest Density
- ♦ Highest Surge Capability
- ♦ Best Thermal Performance Without Derating
- ♦ Watertight (3psi) Standard Design
- ♦ Sleep Mode To Minimize Idling Drain Current (0.2A<sub>DC</sub> vs. 3-5A<sub>DC</sub>)
- ♦ Multi-Stage Output Short Circuit Protection
- ♦ Load Dump And Voltage Transient Protection
- ♦ Thru-Bolt Mounting Provides Alternative To Clamping (Note 3)
- ♦ Replaceable External Waterproof Fan

### Standard Features

- ♦ Waterproof Design
- ♦ Extruded Aluminum Case Construction
- ♦ Conforms to Group 31 Battery Configuration
- ♦ Remote On/Off Switch
- ♦ LED Status Indicators

### Inverter

- ♦ Modified Sine-Wave
- ♦ High Surge Capability
- ♦ 1260V<sub>AC</sub> Isolation
- ♦ Power Limiting
- ♦ Input Reverse Polarity Protection
- ♦ Input Low Voltage Shutdown
- ♦ Input Overvoltage Shutdown
- ♦ Output Short Circuit Protection
- ♦ Output Overvoltage Protection
- ♦ High Temperature Shutdown
- ♦ Auto-Recovery Functions
- ♦ Sleeping Mode



### VISTER HI-Series

Model	Inverter	Surge
VISTER HI-1000	1000W Isolated	3000W
VISTER HI-1500	1500W Isolated	4500W
VISTER HI-2000	2000W Isolated	6000W
VISTER HI-2500	2500W Isolated	6000W
VISTER HI-3000	3000W Isolated	6000W

Add suffix after model name for optional accessories.

-FC	FC200DC Power Line Filter
-FC2	FC250DC Power Line Filter

Dimensions in millimeters unless otherwise specified.

Product appearance may vary by model or revision. Please consult with HDM Systems representatives.