

HDM's VISTER HIC-Series Inverter/Charger is your complete power supply system on the road. This single product uses battery power to run onboard appliances and electronics, and then rapidly and cleanly charges your batteries when docked. HDM's patented pulse charging technology extends battery life and reduces battery charge time, while the inverter's high surge capacity handles demanding loads. An automatic transfer switch allows the power source to shift seamlessly between the batteries and shore power. Watertight and economical, the VISTER HIC-Series inverter/charger is a cleaner alternative to the APU and other diesel based power systems.

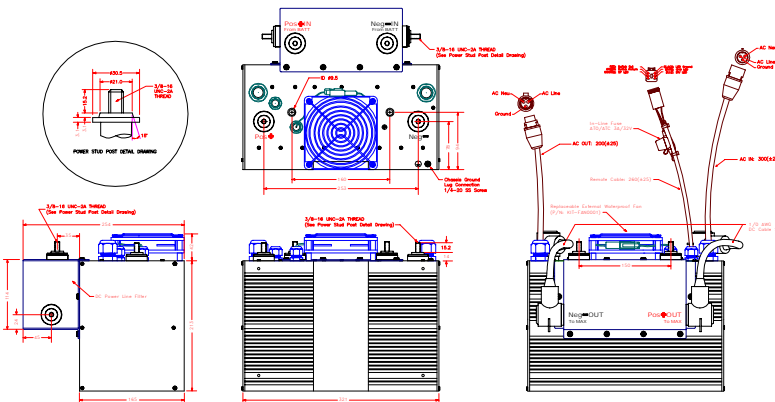
VISTER HI-Series inverter only is also available!

## Technical Specifications

Adaptive Battery Charger (Isolated)	
AC Input Voltage	115V <sub>AC</sub>
AC Input Range	100 ~ 130V <sub>AC</sub>
AC Input Frequency	60Hz
DC Charge Voltage Range	5 ~ 14.8V <sub>DC</sub>
DC Charge Current	40(±4A) <sub>DC</sub> (Note 1)
Efficiency	> 85%
Modified Sine-Wave Inverter (Isolated)	
AC Output Power	(see table) (Note 2)
AC Output Surge Rating	(see table) for 1 sec
AC Output Voltage	120(+10/-20)V <sub>AC</sub>
AC Output Frequency	60(±4)Hz
DC Input Voltage Range	11 ~ 15V <sub>DC</sub>
No Load Current Draw	
ON state	2.5 ~ 5A <sub>DC</sub> @ 12V
Sleeping Mode	< 0.5A <sub>DC</sub> @ 12V
High Temperature Shutdown	≥ +75(±5)°C
Efficiency	> 90%
General	
Maximum AC Input/Bypass Current	20A <sub>AC</sub> (Note 3)
Operating Temperature	-40 ~ +70°C
Storage Temperature	-40 ~ +95°C
Weight	28 lbs
Dimensions (LxWxH*)	12.6 x 6.5 x 10.2"
Approvals	TUV per UL 458:2006
MTBF Prediction	300,000 hrs (Note 4)
Warranty	1 year

Note 1: Maximum charging current for VISTER HIC-2000's 40A<sub>DC</sub> charger.  
 Note 2: For VISTER HIC-3000 inverter, 3000W for 5 min and 2500W continuous.  
 Note 3: AC input/bypass current is shared among the VISTER HIC-2000 internal charger and bypass applications.  
 Note 4: Calculated per Bellcore TR-NWT-000332 method for VISTER HIC-2000 inverter/charger. MTBF predictions may vary slightly from model to model.

Specifications typical at 25°C unless otherwise stated and are subject to change without notice.  
 For custom profiles and requirements, please contact HDM Systems representatives.



Drawing shown with optional FC200DC power line filter. Dimensions in millimeters unless otherwise specified.



## Industry-Leading Features

- Highest Density
- Highest Surge Capability
- Best Thermal Performance Without Derating
- Watertight (3psi) Standard Design
- Patented Pulse-Charging Algorithm To Dramatically Improve Battery Charging Time And Capacity
- Sleep Mode To Minimize Idling Drain Current (0.2A<sub>DC</sub> vs. 3-5A<sub>DC</sub>)
- Multi-Stage Output Short Circuit Protection (Inverter Mode)
- AC Input Surge Protection
- Load Dump And Voltage Transient Protection
- Low Voltage (5V) With Timed Charging
- Thru-Bolt Mounting Provides Alternative To Clamping
- Replaceable External Waterproof Fan

## Standard Features

- Waterproof Design
- Extruded Aluminum Case Construction
- Conforms to Group 31 Battery Configuration
- Appropriate for Wet, AGM and Gel (optional) batteries
- Remote On/Off Switch
- LED Status Indicators
- Automatic Transfer Switch

## Inverter

- Modified Sine-Wave
- High Surge Capability
- 1260V<sub>AC</sub> Isolation
- Power Limiting
- Input Reverse Polarity Protection
- Input Low Voltage Shutdown
- Input Overvoltage Shutdown
- Output Short Circuit Protection
- Output Overvoltage Protection
- High Temperature Shutdown
- Auto-Recovery Functions
- Sleeping Mode

## Charger

- 1260V<sub>AC</sub> Isolation
- Standby Mode
- Auto-Restart Mode
- Overvoltage Protection
- Short Circuit Protection
- Current Limiting
- Overload Auto Shutdown
- Temperature Derated Charge
- Auto Maintenance Mode

## VISTER HIC-Series

Model	Inverter	Surge	Charger
VISTER HIC-1000	1000W Isolated	2000W	40A <sub>DC</sub> Isolated
VISTER HIC-1500	1500W Isolated	3000W	40A <sub>DC</sub> Isolated
VISTER HIC-2000	2000W Isolated	6000W	40A <sub>DC</sub> Isolated
VISTER HIC-2500	2500W Isolated	6000W	40A <sub>DC</sub> Isolated
VISTER HIC-3000	3000W Isolated	6000W	40A <sub>DC</sub> Isolated

Add suffix after model name for optional accessories.

-FC	FC200DC Power Line Filter
-FC2	FC250DC Power Line Filter